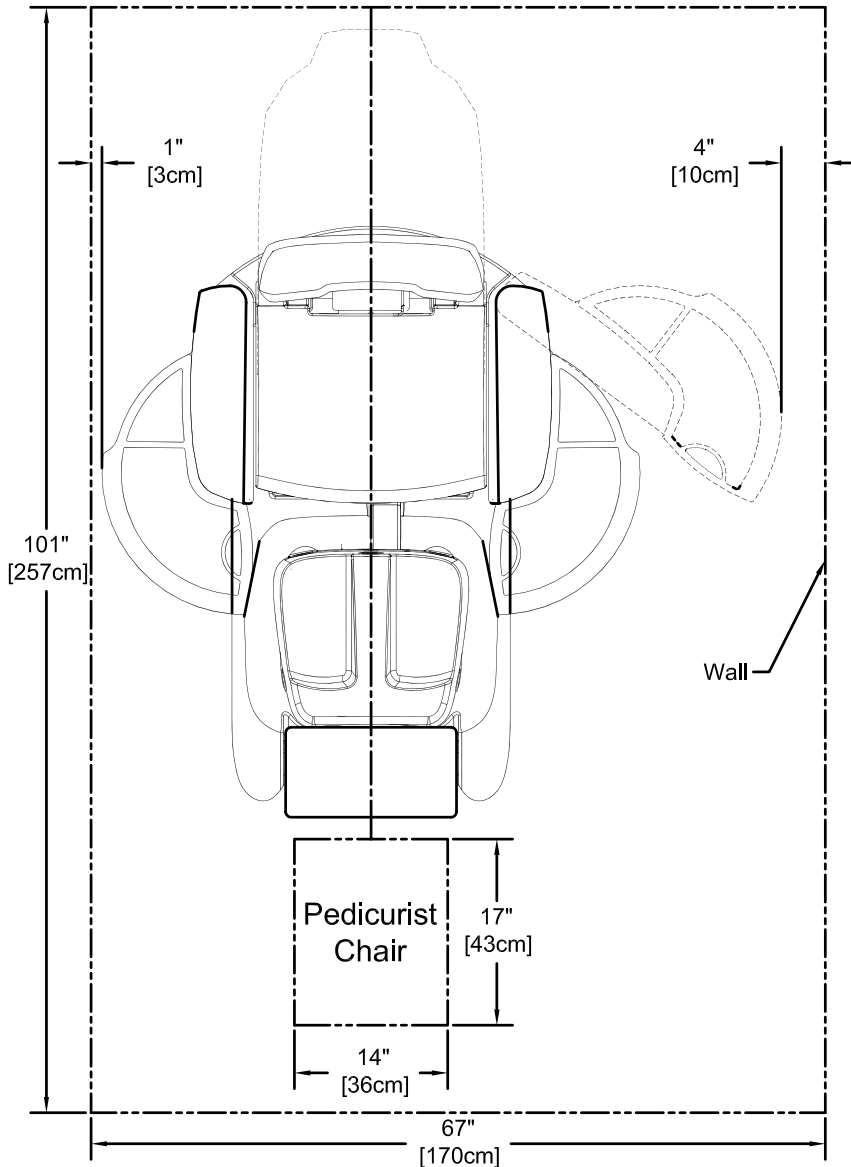


## Forte' Spa™

with one arm open with trays & pedicurist chair



DEFINED SPACE SHOWN INDICATES MINIMUM SPACE REQUIRED

### Notes:

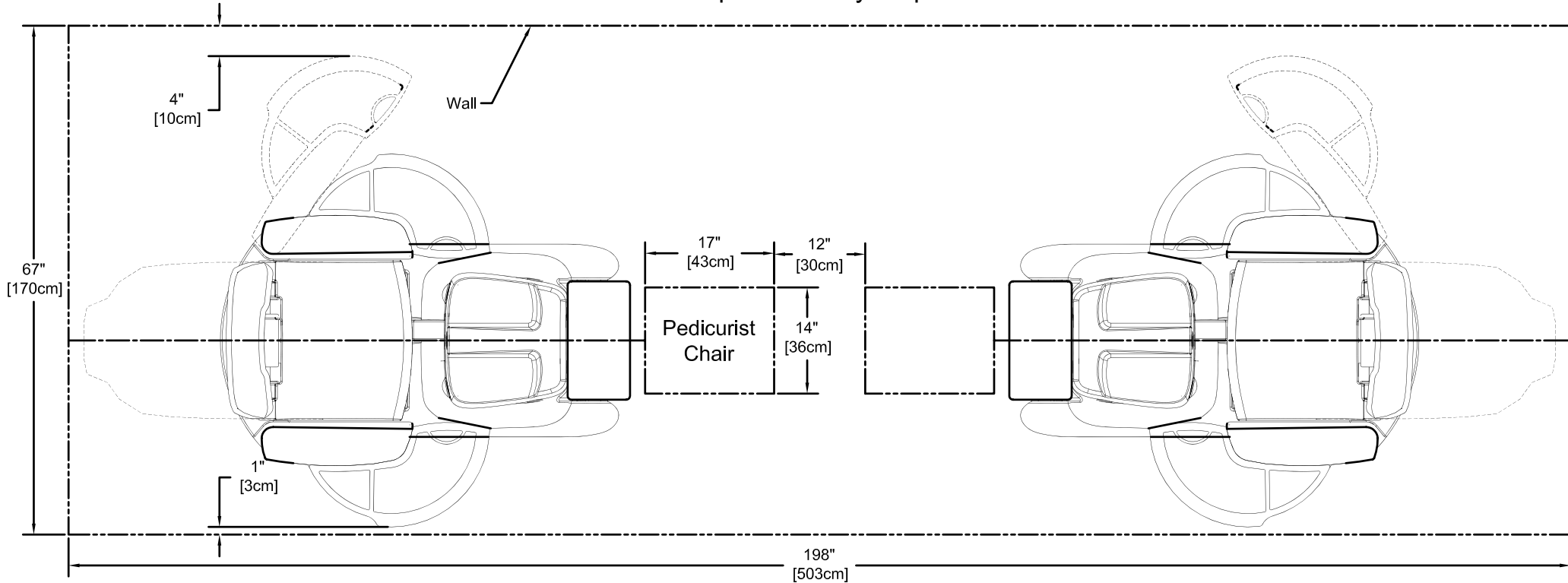
1. Minimum space based on average technician and client space requirements for workspace and entry / exit space. Allow more room if greater clearance desired.
2. Refer to detailed installation drawings, available in owner's manual, and on-line at [www.europeantouch.com](http://www.europeantouch.com) for required plumbing specifications.
3. If customer entry desired from both sides of the spa, add 16" [40cm] to the total width. E.g. Increase from 67" [170cm] to 83" [211cm].
4. Follow all local & state building safety codes for room egress.

### Forte' Spa standard recline shown.

**Forte' Spa (full recline):** Add 7" [18cm] to the overall room depth, 108" [274cm]

**Altera Spa:** Take 6" [15cm] off of the overall room depth, 95" [241cm]

**Forte' Spa™ ~ 2 Spas in-line**  
with one arm open with trays & pedicurist chair



**DEFINED SPACE SHOWN INDICATES MINIMUM SPACE REQUIRED**

**Notes:**

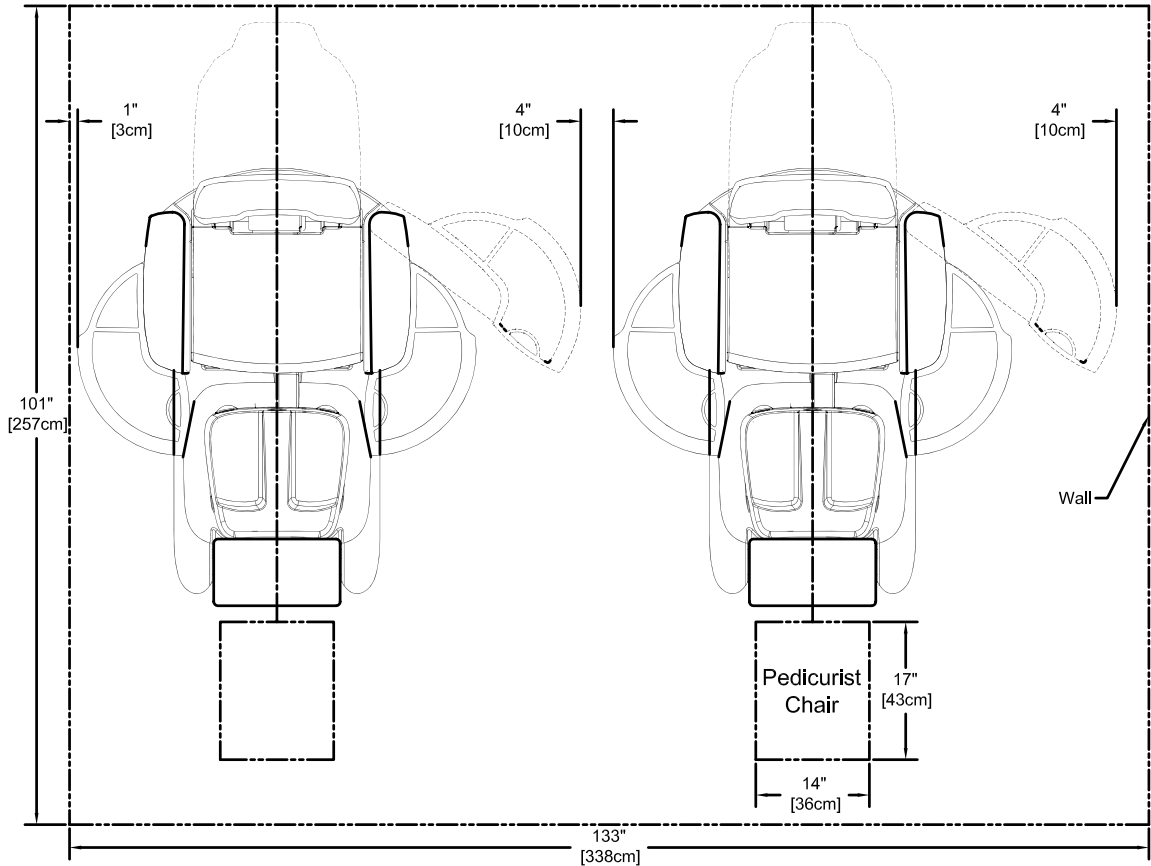
1. Minimum space based on average technician and client space requirements for workspace and entry / exit space. Allow more room if greater clearance desired.
2. Refer to detailed installation drawings, available in owner's manual, and on-line at [www.europeantouch.com](http://www.europeantouch.com) for required plumbing specifications.
3. If customer entry desired from both sides of the spa, add 16" [40cm] to the total width. E.g. Increase from 67" [170cm] to 83" [211cm].
4. Follow all local & state building safety codes for room egress.

**Forte' Spa standard recline shown.**

**Forte' Spa (full recline):** Add 14" [36cm] to the overall room depth, 212" [538cm]

**Altera Spa:** Take 12" [30cm] off of the overall room depth, 186" [472cm]

**Forte' Spa™ ~ 2 Spas side by side**  
with one arm open with trays & pedicurist chair



**DEFINED SPACE SHOWN INDICATES MINIMUM SPACE REQUIRED**

**Notes:**

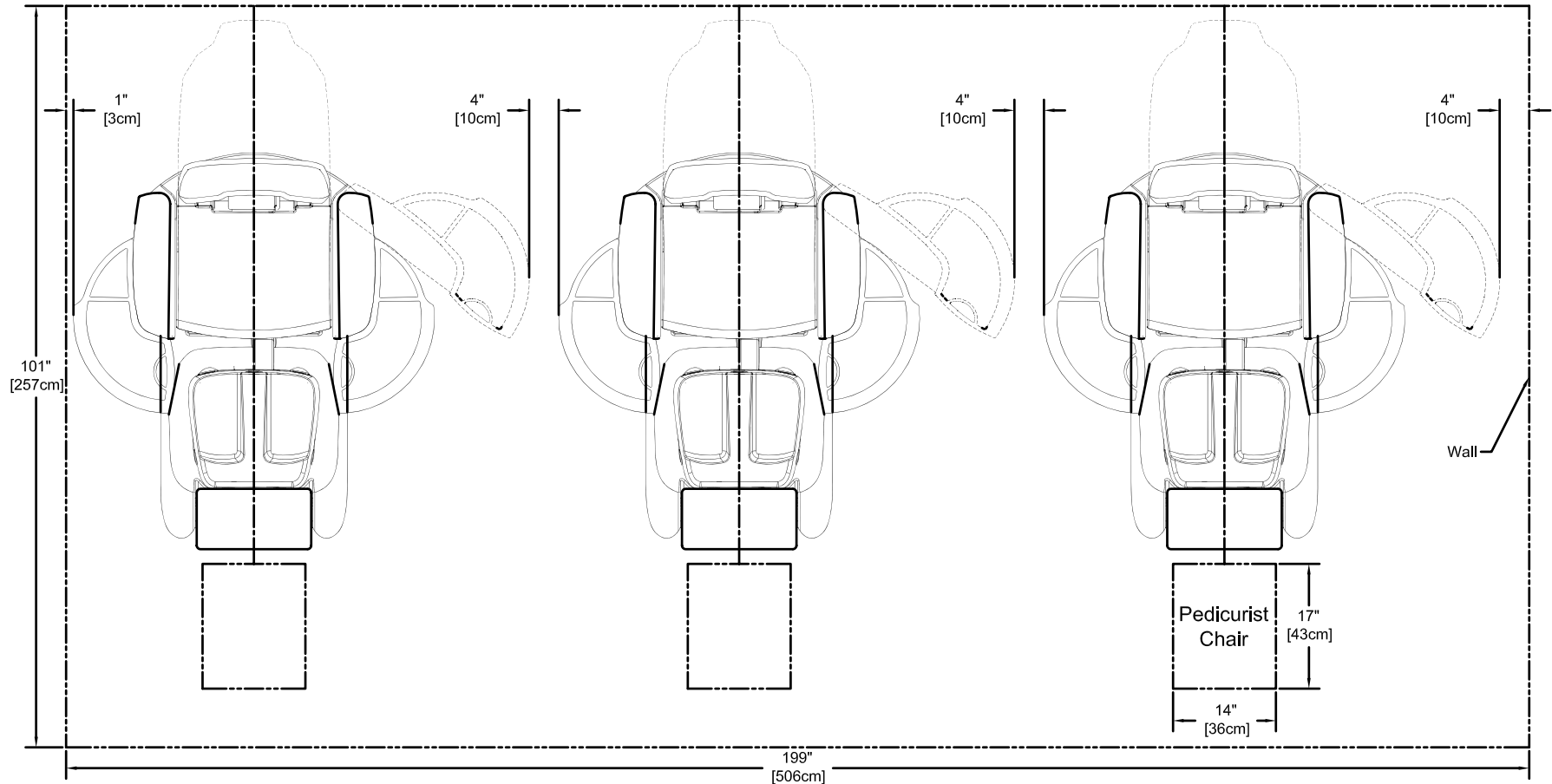
1. Minimum space based on average technician and client space requirements for workspace and entry / exit space. Allow more room if greater clearance desired.
2. Refer to detailed installation drawings, available in owner's manual, and on-line at [www.europeantouch.com](http://www.europeantouch.com) for required plumbing specifications.
3. If customer entry desired from both sides of the spa, add 16" [40cm] to the total width. E.g. Increase from 133" [338cm] to 149" [379cm].
4. Follow all local & state building safety codes for room egress.

**Forte' Spa standard recline shown.**

**Forte' Spa (full recline):** Add 7" [18cm] to the overall room depth, 108" [274cm]

**Alterra Spa:** Take 6" [15cm] off of the overall room depth, 95" [241cm]

**Forte' Spa™ ~ 3 Spas side by side**  
with one arm open with trays & pedicurist chair



**DEFINED SPACE SHOWN INDICATES MINIMUM SPACE REQUIRED**

**Notes:**

1. Minimum space based on average technician and client space requirements for workspace and entry / exit space. Allow more room if greater clearance desired.
2. Refer to detailed installation drawings, available in owner's manual, and on-line at [www.europeantouch.com](http://www.europeantouch.com) for required plumbing specifications.
3. If customer entry desired from both sides of the spa, add 16" [40cm] to the total width. E.g. Increase from 199" [506cm] to 215" [547cm].
4. Add 66" [168cm] for each additional spa.
5. Follow all local & state building safety codes for room egress.

**Forte' Spa standard recline shown.**

**Forte' Spa (full recline):** Add 7" [18cm] to the overall room depth, 108" [274cm]

**Altera Spa:** Take 6" [15cm] off of the overall room depth, 95" [241cm]